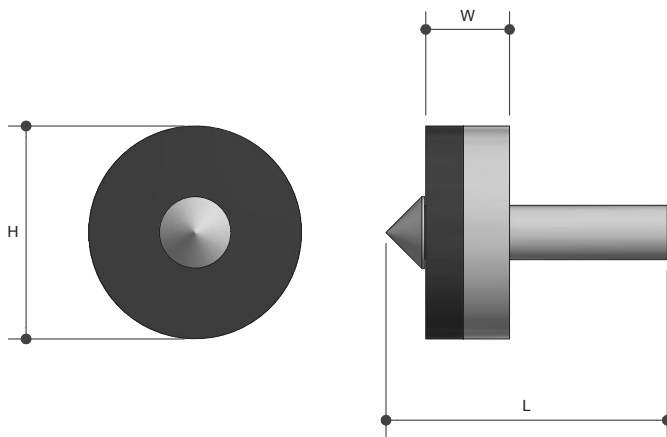


JUMPER VALVES

Nylon

Product Specifications

Metforge®
brassware



Specifications

Working temperature 1 °C to 75 °C

Max. pressure rating 1000kPa

Sizing Chart (MM)

	L	L	H	SIZE
JV15	26	19	8	DN15
JV20	26	23	8	DN20

Features

Watermark approved

Available in 15 and 20mm

Easy turn operation

Suitable for hot and cold water

Tested and certified to AS/NZS 3718



Material Chart

Part	Material
Stem	PA
Seal	EPDM

For more information on Metforge, contact:

Austworld 15 Activity Crescent, Molendinar, Queensland 4214 Australia

P. 1300 780 430

F. 1300 780 441

E. info@austworld.com.au

Austworld Pty Ltd. All rights reserved 2018. Austworld and Metforge are registered trade mark belonging to Austworld Pty Ltd.

AW
AUSTWORLD