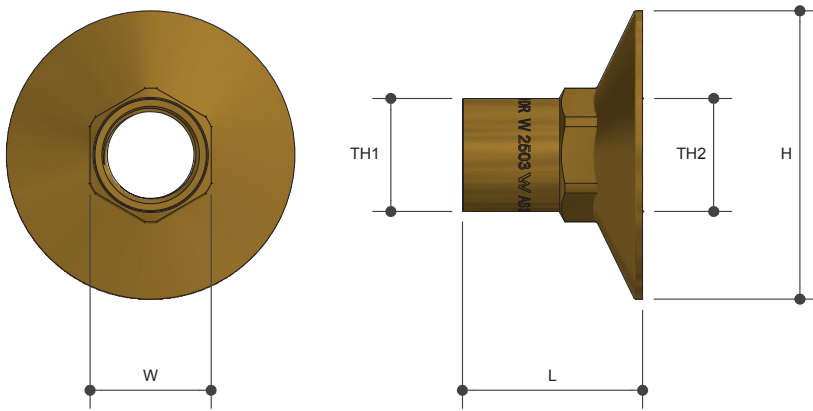


SCREWED BRASSWARE

Flange Bib Extension

Product Specifications



Specifications

Working temperature 1 °C - 95 °C

Maximum pressure rating 1600kPa

Sizing Chart (MM)

	L	H	W	TH1	TH2
FBE40	40	64	27	G 1/2"	G 1/2"
FBE40C*	40	64	27	G 1/2"	G 1/2"
FBE50	50	64	27	G 1/2"	G 1/2"
FBE50C*	50	64	27	G 1/2"	G 1/2"
FBE65	65	64	27	G 1/2"	G 1/2"
FBE65C*	65	64	27	G 1/2"	G 1/2"
FBE75	75	64	27	G 1/2"	G 1/2"
FBE75C*	75	64	27	G 1/2"	G 1/2"

* Chrome Plated

Features



Watermark approved

Brass and chrome finish

Tested and certified to AS 3688

Material Chart

Part	Material
Adaptor	DR Brass
Flange	DR Brass

For more information on Metforge, contact:

Austworld 15 Activity Crescent, Molendinar, Queensland 4214 Australia

P. 1300 780 430

F. 1300 780 441

E. info@austworld.com.au

Austworld Pty Ltd. All rights reserved 2018. Austworld and Metforge are registered trade mark belonging to Austworld Pty Ltd.

