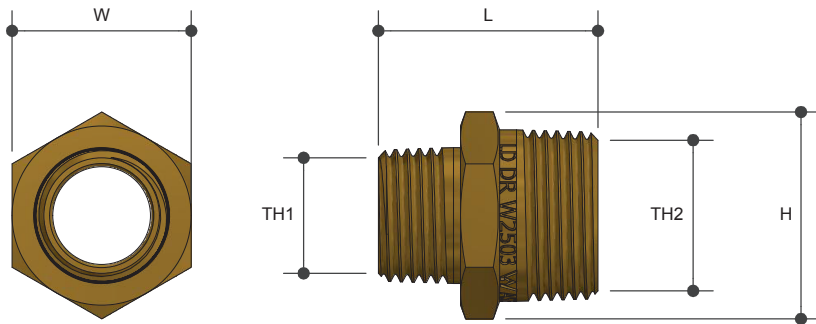


SCREWED BRASSWARE

Hexagon Nipple

Product Specifications



Specifications

Working temperature 1°C to 60°C

Maximum pressure rating 1600kPa

Sizing Chart (MM)

	L*	H	W	TH1	TH2
AW677	27	17	15	R 1/8"	R 1/4"
AW678	27	20	17	R 1/8"	R 3/8"
AW679	27	21	18	R 1/4"	R 3/8"
AW681	30	25	22	R 1/4"	R 1/2"
AW682	30	25	22	R 1/2"	R 3/8"
AW685	34	32	28	R 1/2"	R 3/4"
AW685NB	34	32	28	R 1/2"	R 3/4"
AW685XL	37	32	28	R 1/2"	R 3/4"
AW686*	34	31	27	R 1/2"	R 3/4"
AW687	38	38	35	R 1/2"	R 1"
AW687NB	38	38	35	R 1/2"	R 1"
AW688	37	36	35	R 3/4"	R 1"
AW688NB	37	36	35	R 3/4"	R 1"
AW690	46	50	43	R 3/4"	R 1 1/4"
AW691	47	46	43	R 1"	R 1 1/4"
AW693	51	53	49	R 3/4"	R 1 1/2"
AW694	52	54	50	R 1"	R 1 1/2"
AW695	50	52	49	R 1 1/4"	R 1 1/2"
AW696	50	69	64	R 2"	R 1 1/2"
AW697	50	68	61	R 2"	R 3/4"
AW698	53	68	61	R 2"	R 1"

* Chrome Plated

For more information on Metforge, contact:

Austworld 15 Activity Crescent, Molendinar, Queensland 4214 Australia

P. 1300 780 430

F. 1300 780 441

E. info@austworld.com.au

Austworld Pty Ltd. All rights reserved 2018. Austworld and Metforge are registered trade mark belonging to Austworld Pty Ltd.

Features

Watermark approved

DR Brass

Tested and certified to AS 3688

Material Chart

Part	Material
Nipple	DR Brass

	L	H	W	TH1	TH2
AW699	53	68	61	R 1 1/4"	R 2"
AW700	54	65	61	R 1 1/2"	R 2"
AW701	61	83	77	R 2"	R 2 1/2"
AW702	63	97	90	R 2"	R 3"
AW703	67	97	90	R 2 1/2"	R 3"
AW704	71	124	115	R 2"	R 4"
AW705	72	124	115	R 2 1/2"	R 4"
AW706	75	124	115	R 3"	R 4"

