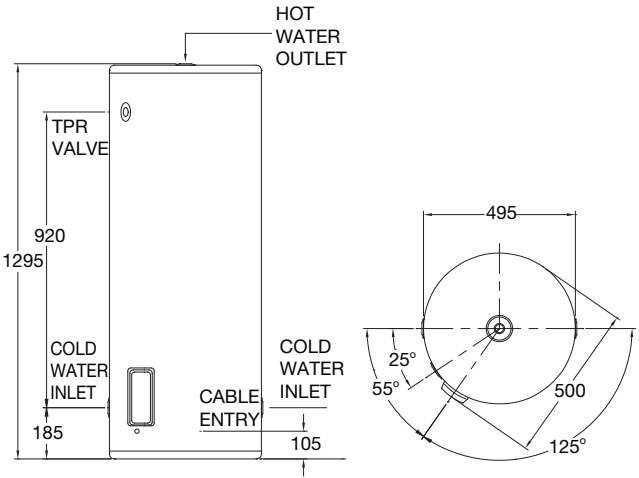


Features & Benefits



- Stainless steel cylinder and water fittings resist corrosion for longer, extending product life
- Dual handed fittings located on the front of the water heater
- 17% better performance than MEPS reduces energy use
- Up to 42% lighter² - for easier handling and installation
- Australian made
- 12 year cylinder warranty¹



MODEL	4A1125
Hot Water Delivery (L)	125
Element Rating (kW)	1.8, 3.6
Relief Valve Pressure (kPa)	1400
Expansion Control Valve (kPa)	1200
Max Water Supply Pressure:	
with ECV (kPa)	960
without ECV (kPa)	1120
Water Connections	Rp ³ / ₄
Approx. Weight (packaged) kg	31



Tap QR code for
installation
instructions

