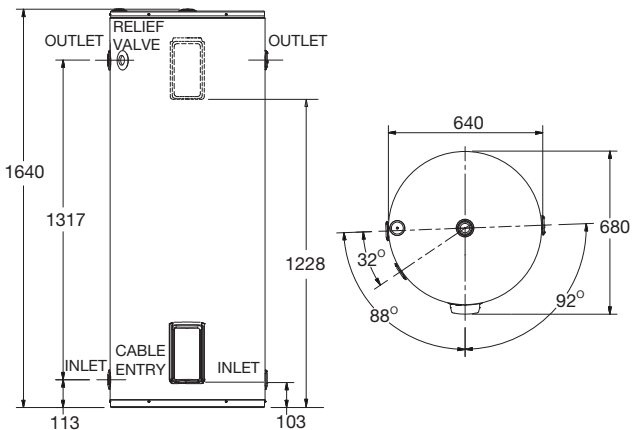


Features & Benefits

- Easy retrofit
- Dual handed inlet and outlet fittings
- Durable Rheem Ultramel®
- Thicker sacrificial anode
- Twin element model - 492315
- Australian made
- 12 year cylinder warranty¹



MODEL	491315 492315
Hot Water Delivery (L)	315
Element Rating (kW)	3.6, 4.8
Relief Valve Pressure (kPa)	1000
Expansion Control Valve (kPa)	850
Max Water Supply Pressure:	
with ECV (kPa)	680
without ECV (kPa)	800
Water Connections	Rp ³ / ₄
Approx. Weight (packaged) kg	97



Tap QR code for
installation
instructions

