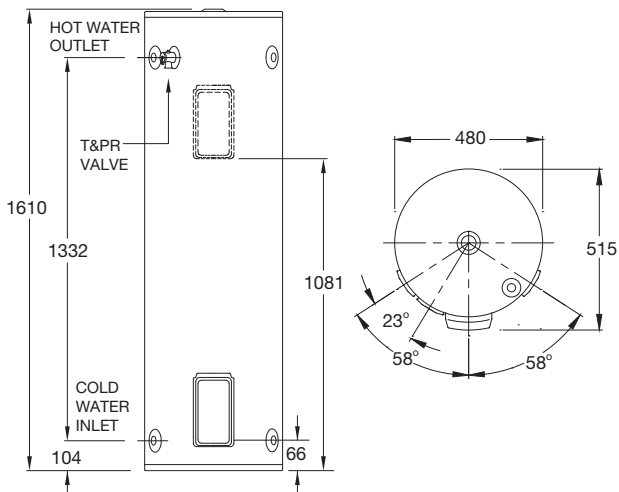




## Features & Benefits

- Fast, easy like-for-like replacement
- Durable Rheem Ultraname<sup>l</sup>
- Twin element model 3.0/3.6kW - 492160
- Dual handed connections
- All models suit connection to concessional (off-peak) tariffs
- Mains pressure water delivery
- 12 year cylinder warranty<sup>1</sup>



MODEL	491160 492160
Hot Water Delivery (L)	160
Element Rating (kW)	1.8, 2.4, 3.6
Relief Valve Pressure (kPa)	1400
Expansion Control Valve (kPa)	1200
<b>Max Water Supply Pressure:</b>	
with ECV (kPa)	960
without ECV (kPa)	1120
Water Connections	Rp <sup>3</sup> / <sub>4</sub>
Approx. Weight (packaged) kg	60



Tap QR code for  
installation  
instructions

