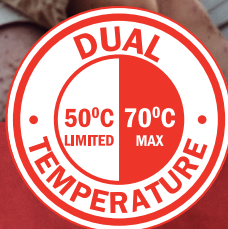


Rheem DualTEMP™
ELECTRIC STORAGE WATER HEATERS



DELIVERS THE RIGHT HOT WATER TO EVERY ROOM

NEW



TEMPERED WATER OUTLET

Adjustable to deliver up to 50°C hot water for bathrooms and ensuites

FULL TEMPERATURE OUTLET

Can deliver full temperature (up to 70°C) hot water for kitchen and laundry

AVAILABLE IN 4 STORAGE CAPACITIES

125L, 160L, 250L & 315L to suit all households

COMES ON STEADY, HOT AND STRONG

INSTALL A



Rheem DualTEMP™

ELECTRIC STORAGE WATER HEATERS

Rheem DualTEMP provides full temperature hot water for the demands of the kitchen and the laundry with the safety of 50°C hot water for bathrooms and ensuites.

KEY FEATURES

Dual temperature capability

50°C maximum temperature limited side outlet, no need to fit a separate tempering valve¹. Full temperature (maximum 70°C) right hand outlet.

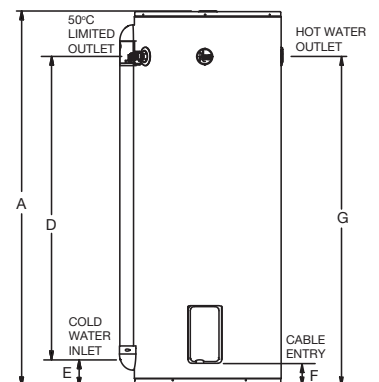
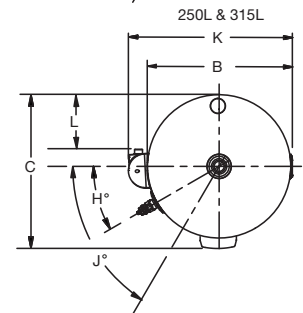
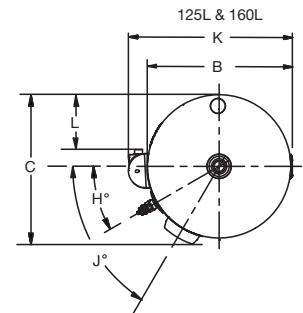
Sizes to suit every family and hot water requirements from 125L to 315L

12 year cylinder warranty²

Full technical support through Rheem's National Service Network



Rheem DualTEMP™		125L	160L	250L	315L
Model		431125	431160	431250	431315
Hot Water Delivery	Litres	125	160	250	315
kW Rating		✓	–	–	–
		✓	✓	✓	✓
Relief Valve Setting	kPa	1400	1400	1000	1000
Expansion Control Valve (kPa)	kPa	1200	1200	850	850
Max Water Supply Pressure:					
with ECV (kPa)	kPa	960	960	680	680
without ECV (kPa)	kPa	1120	1120	800	800
50°C limited outlet & cold connection		G 3/4 B	G 3/4 B	G 3/4 B	G 3/4 B
70°C outlet connection		Rp3/4	Rp3/4	Rp3/4	Rp3/4
Dimensions					
A	mm	1340	1610	1390	1635
B	mm	480	480	640	640
C	mm	500	500	675	675
D - 50°C limited outlet	mm	1102	1332	1109	1317
E	mm	65	105	74	114
F	mm	66	66	103	103
G - Hot water outlet	mm	1167	1437	1183	1431
H	degrees	30	30	32	32
J	degrees	60	60	88	88
K		550	550	710	710
Weight (packaged)	kg	52	60	82	97



¹ Left hand outlet factory pre-set to supply hot water to a maximum of 50°C in accordance with AS3498.

² Warranty: 12 Years on Cylinder, 1 Year Labour on Cylinder, 1 Year Parts & Labour warranty on all other components for Domestic (non-Commercial) installations. Conditions apply. See the Rheem warranty set out in the Owner's Guide & Installation Instructions or view at www.rheem.com.au/warranty. Materials and data are subject to change without notice.

Rheem Australia Pty Ltd.
 1 Alan Street, Rydalmere, New South Wales 2116, Australia
 PO Box 7508 Silverwater NSW 2128, Australia.
www.rheem.com.au
 © Registered Trademark of Rheem Australia Pty Ltd.
 ™ Trademark of SAI Global.



Rheem MKT DualTEMP flyer Printed 05/2021

