

# Rheem Electric Compact 47 191045

1

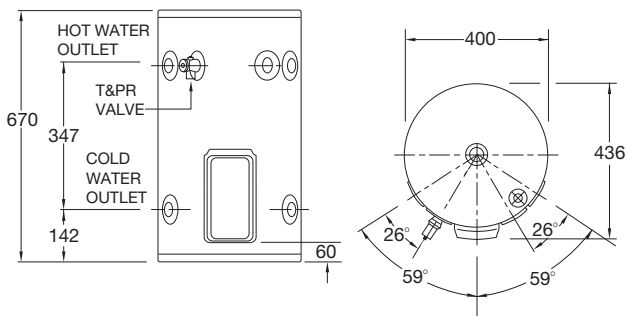
PEOPLE<sup>3</sup>

Indoor/  
Outdoor

INSTALLATION

## Features & Benefits

- With a 47L delivery, its compact size fits easily into kitchen or laundry cupboards.
- Small Diameter – 400mm
- Just 670mm HIGH (including anode cap)
- 47L delivery\*
- Available in 3.6kW rating only
- Recessed plug fittings
- Dual handed connections – easier to install
- 7 year cylinder warranty<sup>1</sup>



\*Rated Hot Water Delivery (L) is 40L in accordance with AS/NZS4692.1.  
Actual delivery is 47L when tested to AS/NZS4692.1.

MODEL	191045
Hot Water Delivery (L)	47
Element Rating (kW)	3.6
Relief Valve Pressure (kPa)	1400
Expansion Control Valve (kPa)	1200
<b>Max Water Supply Pressure:</b>	
with ECV (kPa)	960
without ECV (kPa)	1120
Water Connections	Rp <sup>3</sup> / <sub>4</sub>
Approx. Weight (packaged) kg	25



Tap QR code for  
installation  
instructions

